

CONTROL CIRCUITS

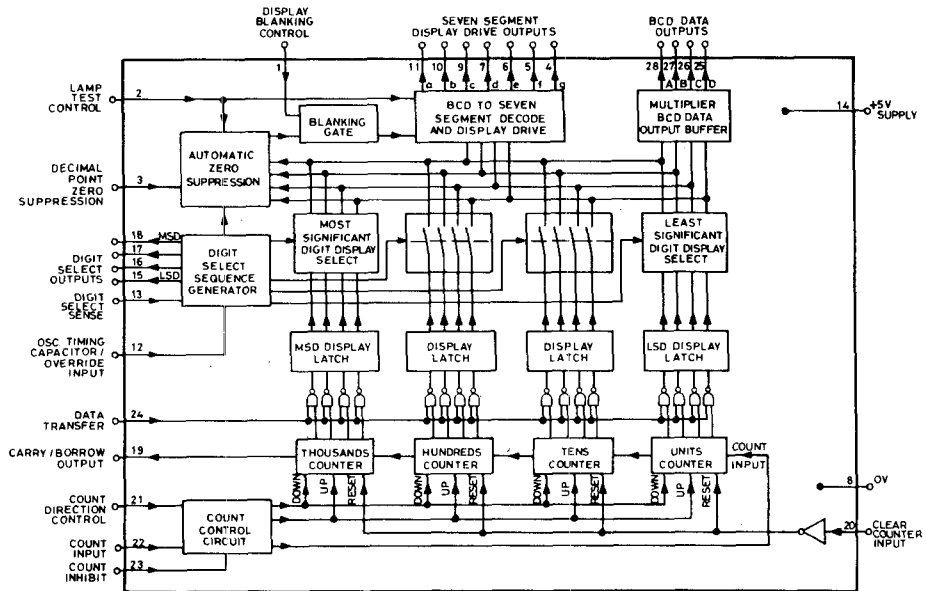
UNIVERSAL 4 DIGIT DISPLAY COUNTER

ZN1040E-RD

The counter offers such functions as up/down synchronous counting, Schmitt trigger input, direct cascading and inhibit and clear facilities. Separate memory latches are available and the display control circuitry offers variable mark-space (*intensity*) control, blanking, lamp test, separate B.C.D. outputs as well as segment outputs, automatic zero suppression and catering for the decimal point. The internal oscillator drives a self-scanning system, but provision is made for external override for synchronisation purposes.

FEATURES

- 4 digits of synchronous reversible count, up to 5MHz
- Multiplexed B.C.D. outputs
- Large output drive capability, 80mA with 0.4V drop on segment outputs and 16mA at 0.4V on others
- Direct cascading for extra digits
- Fully TTL compatible, single 5V supply
- 28 lead moulded D.I.L. (E28) package



5656/2

System Diagram